

# Type 0938 LOAD BRAKE

## ELECTROMAGNETIC FAILSAFE SPRING-SET BRAKE



### DESCRIPTION

This electrically released, spring-set (power-off) load brake by KEB is a space saving design with tight width requirements. It is a multi-disc design in a small lightweight package.

### FUNCTIONAL FEATURES & BENEFITS

Standard Coil Voltages: 24, 105, 170, 205 or 270 VDC

Coil Rated Power: 135W

Lead wire: AWG 18 3 wire SOOW cable 120" long.

Weight: Approx. 66 Lbs.

Five torque values can be ordered: 250, 500, 750, 1000, 1250, 1500 Nm

Noise reduced actuation of < 65dB at 1 meter.

Bolt release is standard.

Dust protection ring (IP44) is standard

### APPLICATIONS

#### TYPICAL INSTALLATIONS & RECOMMENDED USE

This load brake has many applications including:

- Hoists
- Cranes
- Lifts

### OPTIONS

Hand release:

- Dead man style, with 400mm handle. (requires a 12° tilt back)

Micro-switch:

- Positive-break design, 3 wire, NO or NC.

### RATINGS

Static Torque: rated values = 250, 500, 750, 1000, 1250, 1500 Nm  
(Note: Max torque can = 1.6 \* rated torque)

Speeds up to 600 RPM

Power: 135W

D.C. Voltage/Amps: 24/5.63A, 105/1.29A, 170/0.79A, 205/0.67A,  
270/0.50A

Enclosure: IP44 (with dust ring installed)

### ENVIRONMENTAL OPERATING CONDITIONS

Ambient temp: 0 to +40° C

Humidity: non-condensing (could freeze and not rotate)

### STD. HUB BORES [TORQUE LIMIT]

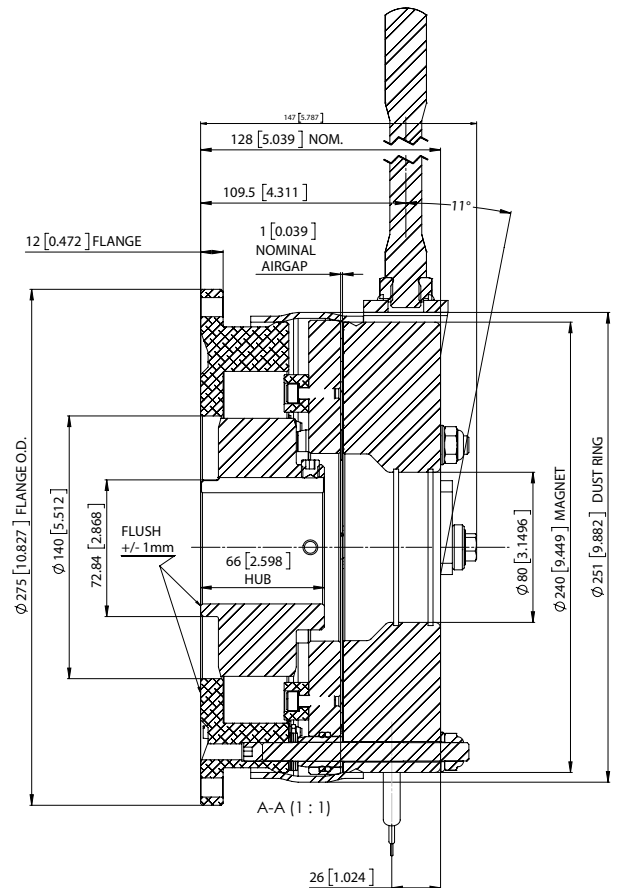
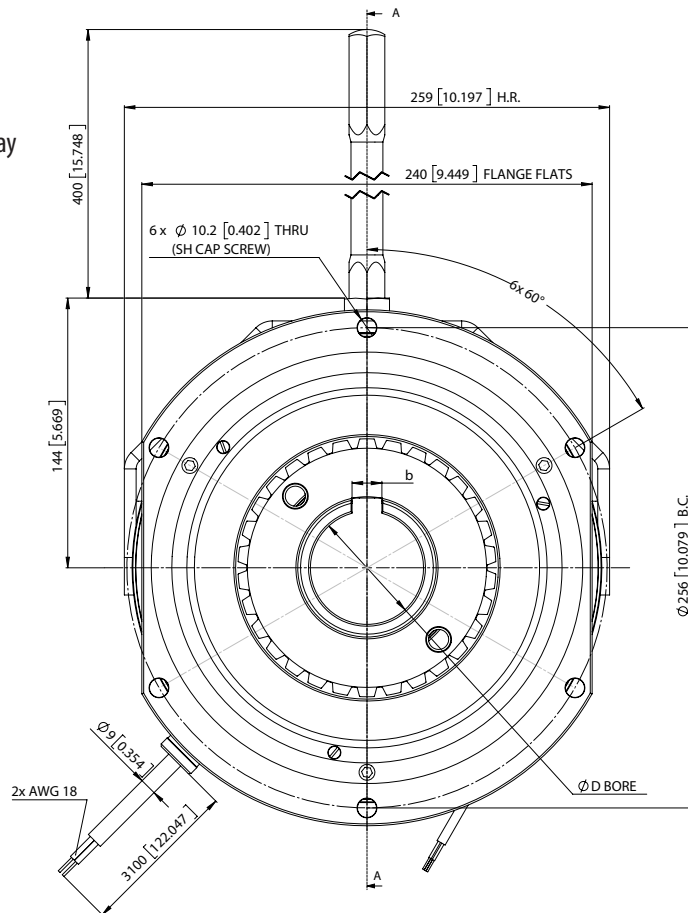
METRIC	INCHES
20mm/pilot [250 Nm]	1.375 [1000Nm]
25 [500 Nm]	1.500 [1250Nm]
30 [750 Nm]	1.625 [1250Nm]
35 [1000 Nm]	1.750 [1500Nm]
40 [1250 Nm]	2.000 [1500Nm]
45 [1250 Nm]	2.375 [1500Nm]
50 [1500 Nm]	2.500 [1500Nm]
55 [1500 Nm]	2.750 [1500Nm]
60 [1500 Nm]	3.000 [1500Nm]
65 [1500 Nm]	

### MORE INFORMATION

For more information, speak with a KEB engineer today at 952.224.1400

#### KEY

mm [inches]  
 b = shaft keyway  
 D = Hub Bore



## Automation with Drive

KEB America, Inc.  
 5100 Valley Industrial Blvd., S  
 Shakopee, MN 55379

Tel: (952) 224-1400  
 Fax: (952) 224-1499

info@kebamerica.com  
 kebamerica.com